

Pin definitions of IIS·LVDS

Applicable models

element X2

element M2

element i2

element X

element P

element M

element i

X-SABRE 3

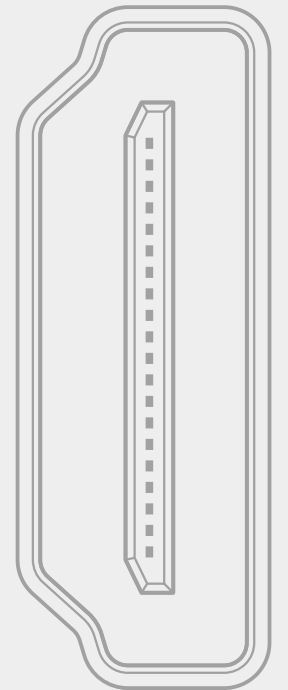
mini-i Pro 3

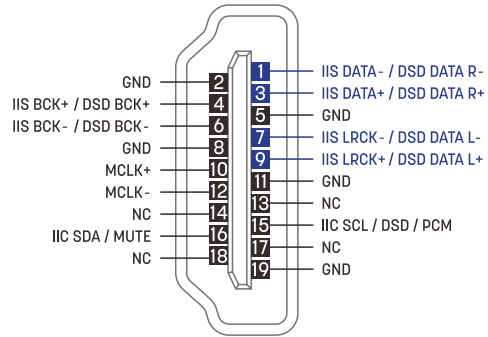
mini-i 3

X-SPDIF3

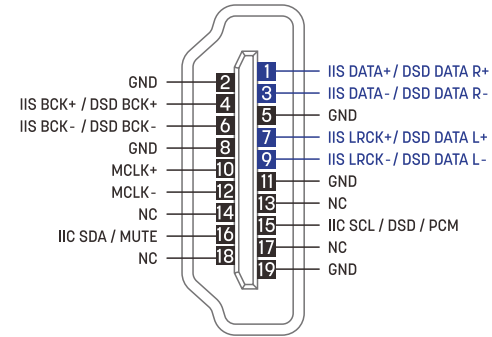
element S

element X2 Pure

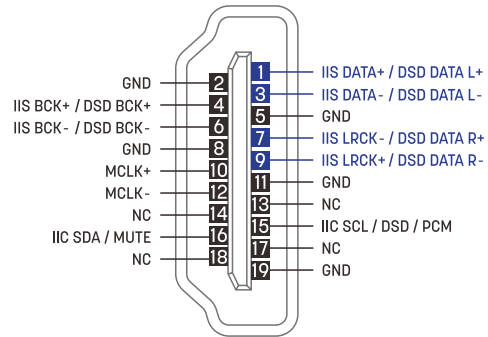




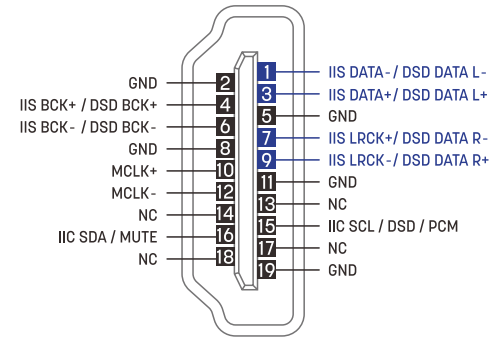
Type A



Type B



Type C



Type D

HIGH PERFORMANCE AUDIO

www.matrix-digi.com

Matrix Electronic Technology Co., LTD
+86-29-86211122
B-801, No.111 Fengcheng 5th Rd.,
Xi'an, China